

MEDIBOX

MEDIBOX is the world's first reusable rectangular triple packaging system for **transport of any diagnostic samples**, which can withstand an internal pressure of 95 kPa

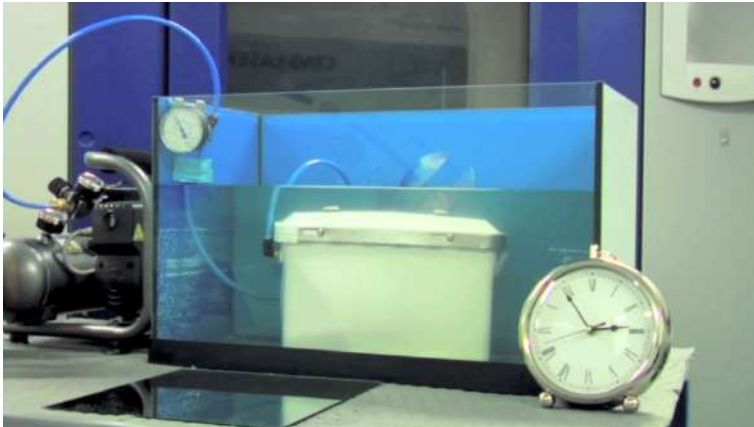


For more information visit: www.safetyway.es



MEDIBOX: WHAT IS IT?

MEDIBOX is the world's first reusable rectangular triple packaging system, for transport of any diagnostic samples, which can withstand an internal pressure of 95 kPa. Conforming to the P650 ADR / RID / IMDG, IATA / ICAO 650 packaging instruction.



The production process has been evaluated with the ISO 9001:2008 quality system by TÜV RHEINLAND. Pressure test 95 kPa

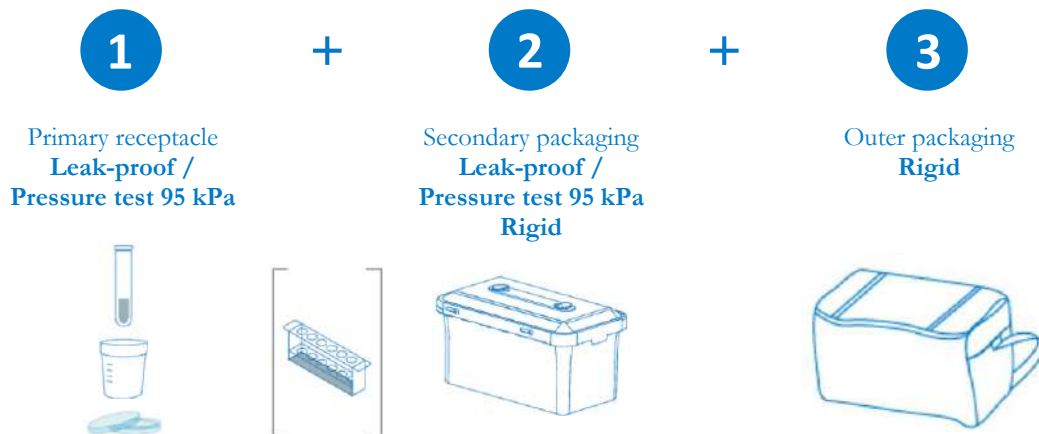
TECHNICAL DATA SHEET OF MEDIBOX

Secondary rectangular packaging	
Shape	Rectangular
Material	High Tech Polymer
Color	Tailor-made
Capacity (1 st receptacles)	50 tubes 10 ml / 24 petri dishes / 8 urine container 100 ml
Racks	Standard racks or tailor-made
Sorbent	Tailor-made in accordance with the first receptacles and customizable
Cooling system	Cooler in the internal side of the lid
Gasket	Sanitary use
Main characteristics	Leak proof and withstand an internal pressure of 95 kPa
Dimensions	320 x 170 x 165 mm
Empty mass	1,588 Kg

Outer packaging
Outer packaging, strong enough to withstand the shocks and loadings normally encountered during transport
Interchangeable labeling system

TRIPLE PACKAGING: HOW DOES IT WORK?

When it comes to the transportation of diagnostic samples must consist of three components:



COMPONENTS	EUROPE ADR 2011 P650 ADR/650 IATA	USA 49 CFR.173.199	CANADA CAN/CGSB-43.125- 99 TYPE 1B	MERCOSUR GMC/ RES/ N°50/80
Primary	Leak-proof	Leak-proof	Leak-proof	Leak-proof
Absorbent	Yes	Yes	Yes	Yes
Secondary	Leak-proof *Pressure test 95 kPa	Leak-proof →Pressure test 95 kPa	Leak-proof →Pressure test 95 kPa	Leak-proof *Pressure test 95 kPa
Outer pack	ADR: of which either the secondary or the outer packaging shall be rigid IATA: Rigid	Rigid	Strong outer packaging IATA: Rigid	Rigid
Transport designed as	Biological substance Category B	Biological substance Category B	Biological substance Category B	Biological substance Category B
Label	UN 3373	UN 3373	UN 3373	UN 3373

Yes Absorbent material must be placed between the primary receptacle and the secondary packaging to absorb all the liquid contained.

* Either the primary receptacle or the secondary packaging have to withstand an internal pressure of 95 kPa

→ Air Cargo: either the primary receptacle or the secondary packaging have to withstand an internal pressure of 95 kPa

According to the physical requirements **either the primary receptacle or the secondary packaging has to withstand an internal pressure of 95 kPa**. MEDIBOX is a secondary packaging that fulfills this requirement it is not necessary that your primary receptacle withstands the internal pressure of 95 kPa.

WHAT MAKES MEDIBOX UNIQUE IN THE WORLD?



With the MEDIBOX, the only requirement for your customer will be to use any leak-proof first receptacle: tube, urine, collector, etc...



Being rectangular fulfills the laboratory workflow since tube racks are always rectangular.



Withstanding the internal pressure of 95 kPa, means that MEDIBOX fulfills the P650 ADR / RID / IMDG, IATA / ICAO 650 packaging instruction.



With our interchangeable labeling system you can use the same packaging to transport diagnostic samples from different dangerous categories...



With MEDIBOX you
can send diagnostic
samples from the
patient's bed to
anywhere in the
world